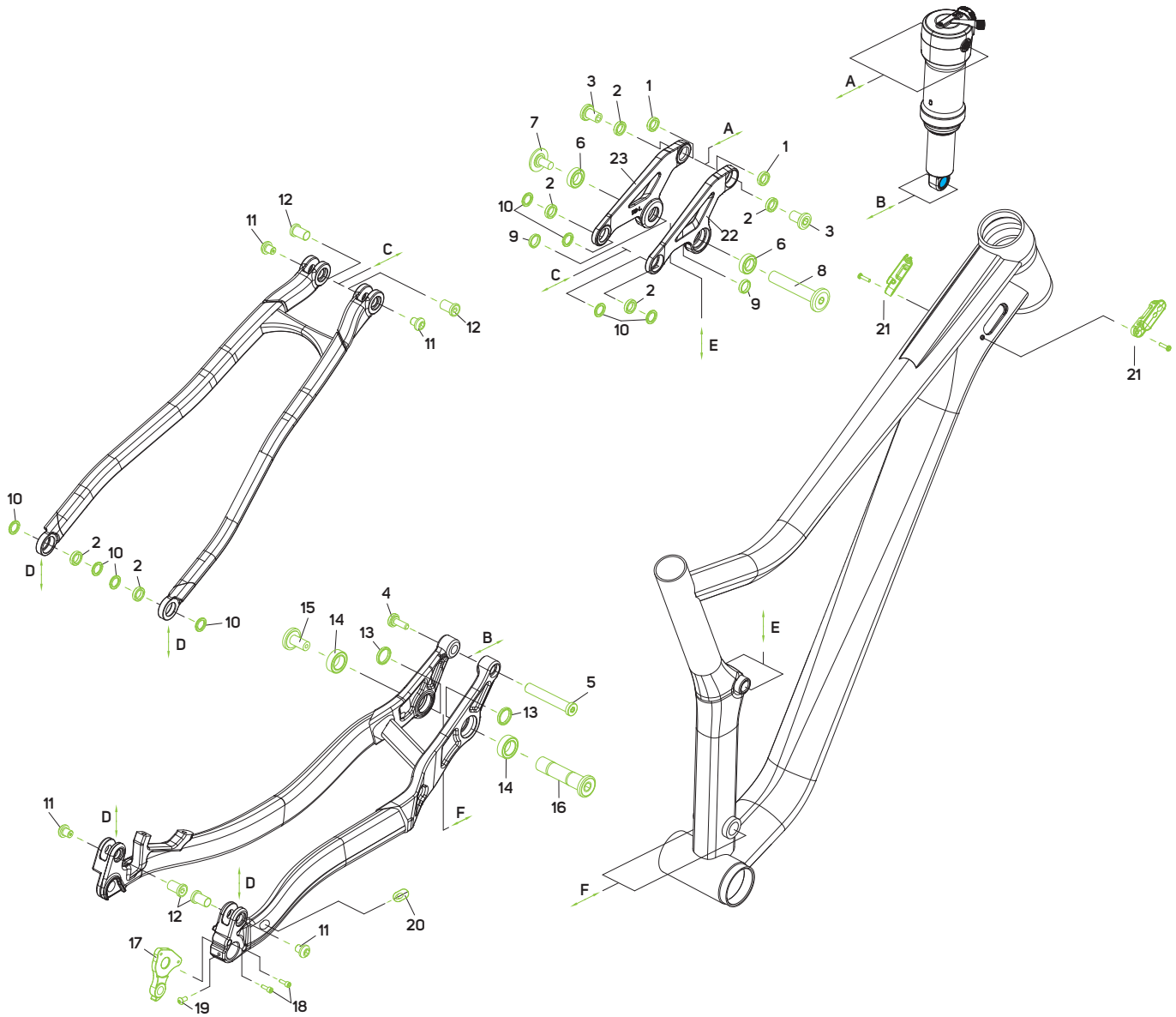


mm	SHAFT EYELET		● BODY EYELET	
	PIN WIDTH	PIN ID	PIN WIDTH	PIN ID
185 x 55 mm	-	-	40 mm	10 mm

Recommended SAG: 30-35%



No.	Item No.	Item	Detail information	Pieces	Torque Nm
1	2294004440	WASHER		2	
2	2221002254	BEARING	6800V2RS 19D*10D*5W	6	
3	2300011274	SCREW		2	14
4	2300012480	SCREW		1	10
5	2300012491	BOLT		1	
6	2221002265	BEARING	6801V-2RS 21D*12D*5W	2	
7	2300011285	SCREW		1	14
8	2300011296	BOLT		1	
9	2294004439	WASHER		2	
10	2294004451	WASHER		8	
11	2300011252	SCREW		4	11

No.	Item No.	Item	Detail information	Pieces	Torque Nm
12	2300011263	BOLT		4	
13	2294001180	WASHER		2	
14	2221002395	BEARING	3802V-2RD 24D*15D*7W	2	
15	2300011304	SCREW		1	12
16	2300011315	BOLT		1	
17	2311004928	DROPOUT	DH-053 (see page 608)	1	
18	2300010950	SCREW		2	4
19	2300005272	SCREW		1	5
20	2258003812	CABLE GUIDE		1	
21		SMART ENTRY	(see page 606)		