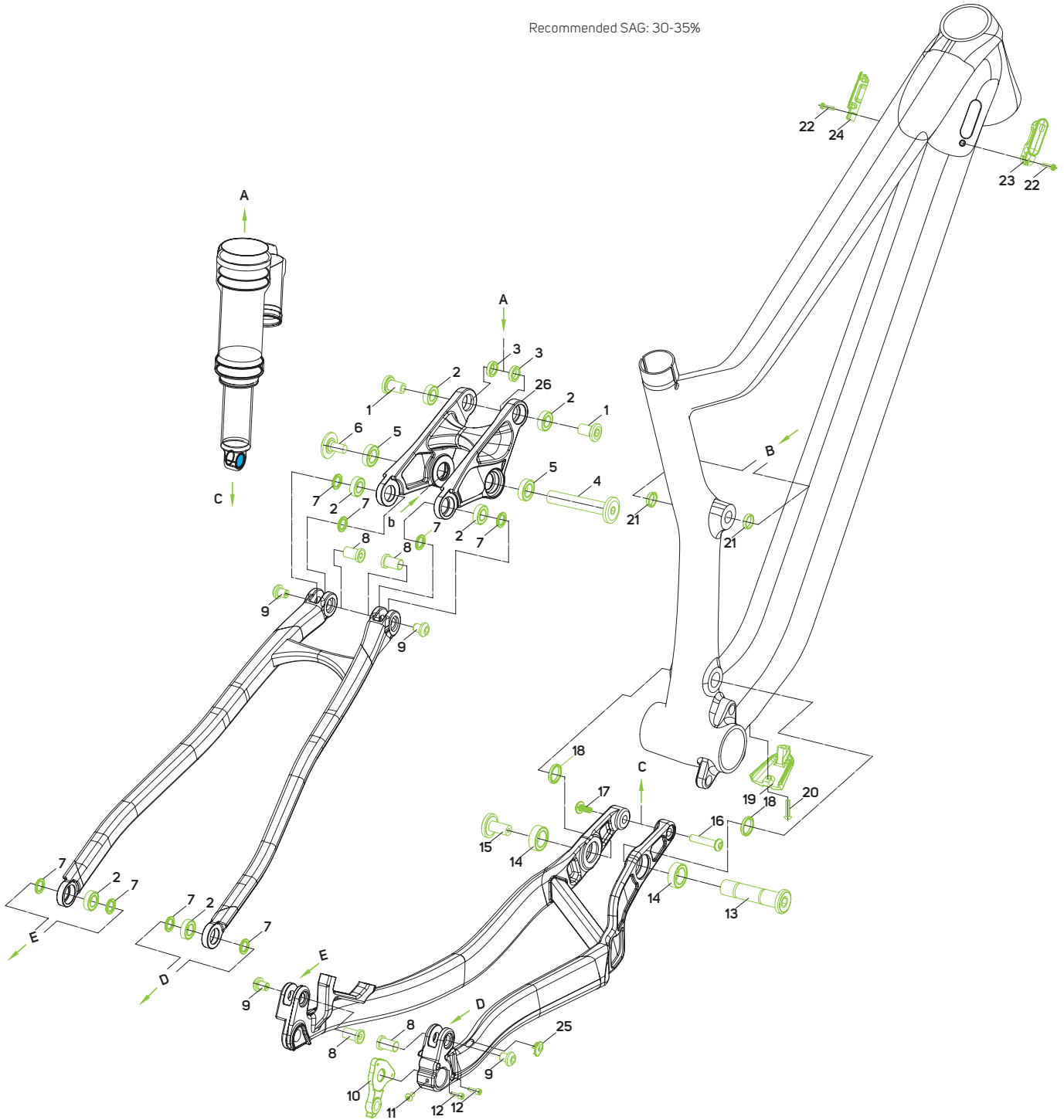


mm	SHAFT EYELET	PIN WIDTH	PIN ID	BODY EYELET	PIN WIDTH	PIN ID
205 x 62.5mm	-	-	-	40 mm	8 mm	

Recommended SAG: 30-35%



No.	Item No.	Item	Detail information	Pieces	Torque Nm	No.	Item No.	Item	Detail information	Pieces	Torque Nm
1	2300011274	BOLT		2	14	15	2300011304	SCREW		1	14
2	2221002254	BEARING	6800V-2RS 19D*10D*5W	6		16	2300012491	BOLT		1	10
3	2294004440	WASHER		2		17	2300012480	SCREW		1	10
4	2300011296	BOLT		1	12	18	2294004462	WASHER		2	
5	2221002209	BEARING	6801V-2RS 21D*12D*5W	2		19	2258003867	CABLE GUIDE		1	
6	2300011285	SCREW		1	12	20	2300009890	SCREW		1	5
7	2294004451	WASHER		8		21	2294004439	WASHER		2	
8	2300011263	BOLT		4	12	22	2300011412	SCREW		2	4
9	2300011252	SCREW		4	12	23		SMART ENTRY (see page 606)			
10	2311004928	DROPOUT	DH-053 (see page 608)	1		24		SMART ENTRY (see page 606)			
11	2300005272	SCREW		1	5	25	2258003812	CABLE GUIDE		1	
12	2300010950	SCREW		2	5	26	-	ROCKER		1	
13	2300011315	BOLT		1	14						
14	2221002395	BEARING	3802V-2RD 24D*15D*7W	2							