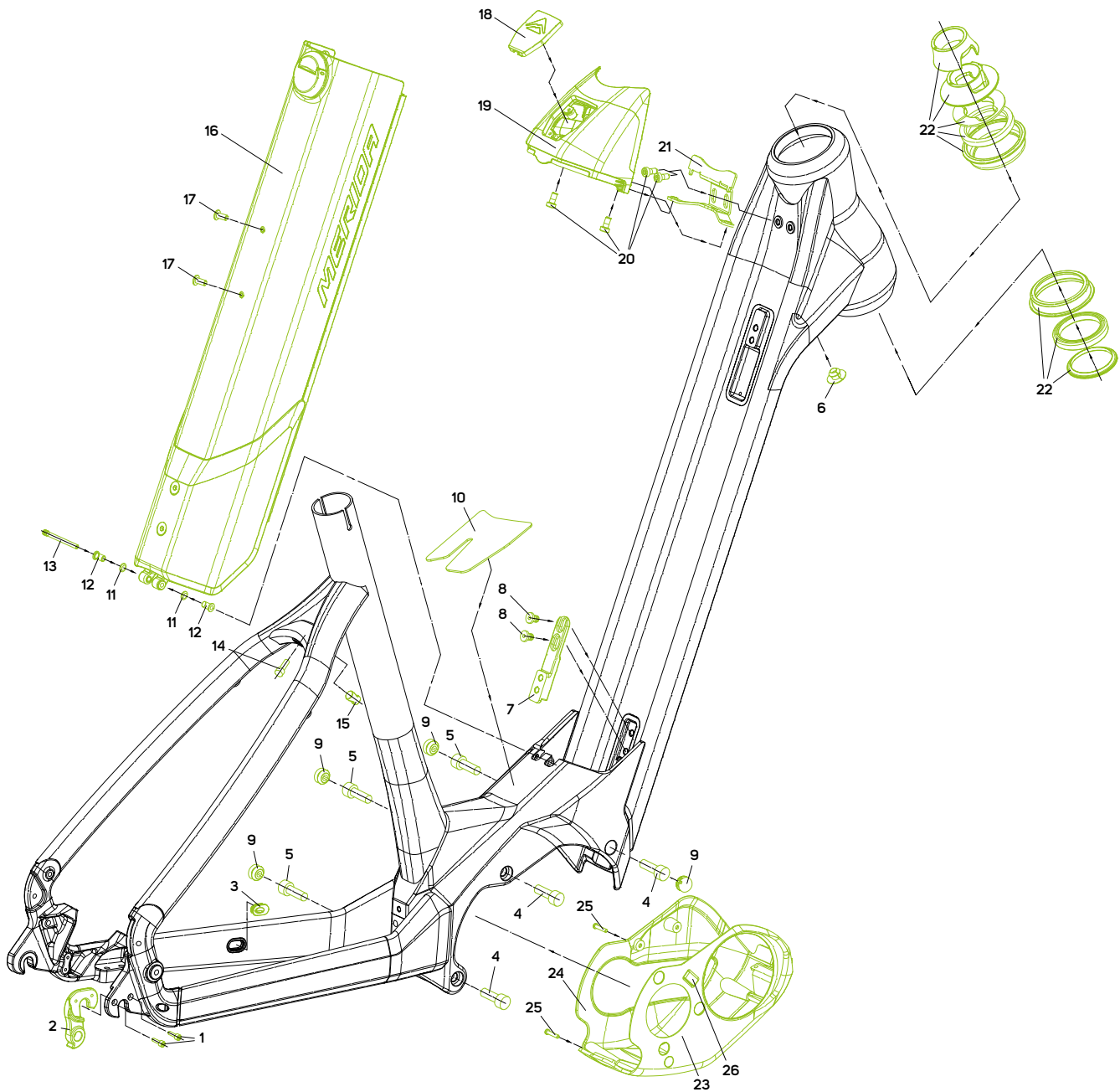


# eSPRESSO CC LITE III



| No. | Item No.    | Item       | Detail information         | Pieces | Torque Nm | No. | Item No.    | Item      | Detail information                                       | Pieces | Torque Nm |
|-----|-------------|------------|----------------------------|--------|-----------|-----|-------------|-----------|--|--------|-----------|
| 1   | A2300000004 | SCREW      | M3x0.5 L6mm                | 2      | 2-4       | 16  | A2263000014 | COVER     | for battery; frame size S                                | 1      |           |
| 2   | A2311000072 | RD-HANGER  | DH-013F                    | 1      |           | 16  | A2263000013 | COVER     | for battery; frame size XS                               | 1      |           |
| 3   | A2258000079 | CABLE PLUG | for rear brake             | 1      |           | 17  | A2298000311 | SCREW     | M5x0.8 L12mm   | 2      | 3-5       |
| 4   | A2300000468 | SCREW      | M8x1.25 L18.5mm            | 3      | 11-12     | 18  | A2154000001 | COVER     | Blind plug for charging port                             | 1      |           |
| 5   | A2300000469 | SCREW      | M8x1.25 L23mm              | 3      | 11-12     | 19  | A2263000038 | COVER     | for lock and battery                                     | 1      |           |
| 6   | A2143000124 | CABLE PLUG | for front light cable      | 1      |           | 20  | A2298000119 | SCREW     | M5x0.8 L10mm   | 4      | 3-5       |
| 7   | A2164000088 | MOUNT      | for lower battery mount    | 1      |           | 21  | A2136000122 | MOUNT     | for charging port cover                                  | 1      |           |
| 8   | A2298000143 | SCREW      | M6x1.0 L10mm               | 4      | 6-8       | 22  | A2191000228 | HEAD SET  | MERIDA/VP-8253 (MH-P16/MH-P16)<br>for 1,5" Tapered fork  | 1      |           |
| 9   | A2143000153 | BLIND PLUG | for drive unit screw holes | 4      |           | 22  | A2191000224 | HEAD SET  | MERIDA/VP-8254 (MH-P16/MH-P16)<br>for 11/8" Tapered fork | 1      |           |
| 10  | A2363000406 | PROTECTOR  | for step through area      | 1      |           | 23  | A2161000144 | COVER     | for drive unit ; right side                              | 1      |           |
| 11  | A2160000012 | O-RING     | OD6mm ID4mm                | 2      |           | 24  | A2263000002 | COVER     | for drive unit ; left side                               | 1      |           |
| 12  | A2221000048 | BUSHING    | for battery cover          | 2      |           | 25  | A2298000278 | SCREW     | 3x16mm   | 2      | 2-4       |
| 13  | A2300000530 | BOLT       | M5x0.8 L39.5mm             | 1      | 4-6       | 26  | A2029000040 | PROTECTOR | for Chain cover mount                                    | 1      |           |
| 14  | A2300000288 | SCREW      | M6x1.0 L18mm               | 1      | 10-12     |     |             |           |  |        |           |
| 15  | A2300000204 | NUT        | for fender; M6             | 1      |           |     |             |           |  |        |           |
| 16  | A2263000017 | COVER      | for battery; frame size XL | 1      |           |     |             |           |  |        |           |
| 16  | A2263000016 | COVER      | for battery; frame size L  | 1      |           |     |             |           |  |        |           |
| 16  | A2263000015 | COVER      | for battery; frame size M  | 1      |           |     |             |           |  |        |           |