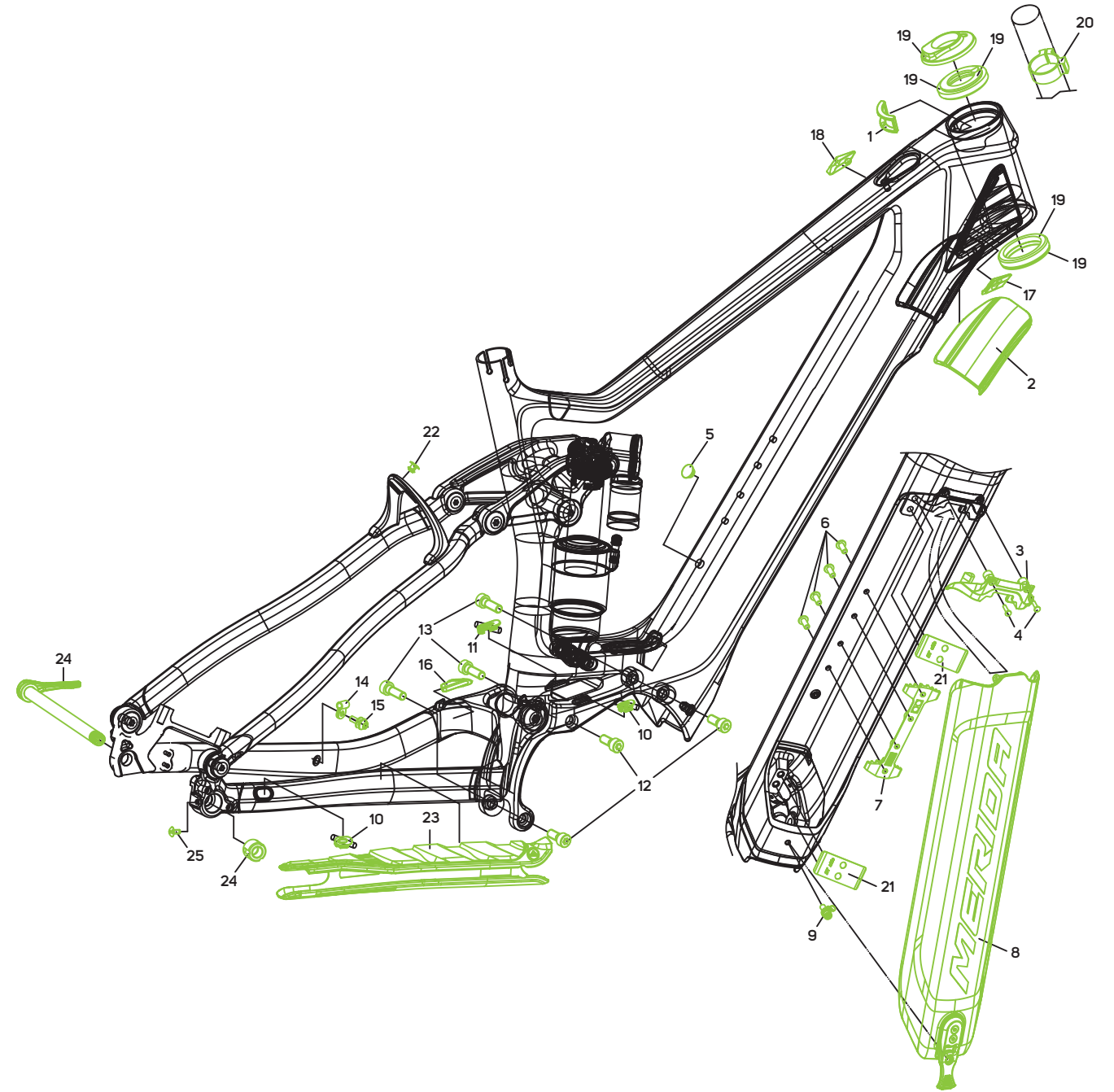


S U S P E N S I O N H A R D W A R E

No.	Item No.	Item	Detail information	Pieces	Torque Nm
1	A2294000162	WASHER	OD21.1mm ID15.1mm H3mm	2	
2	A2221000043	BEARING	3802V-2RS OD24mm ID15mm W7mm	2	
3	A2300000263	BOLT	M10x1 OD15mm L64mm	1	
4	A2300000264	SCREW	M10x1 L20mm	1	16-18
5	A2300000364	SCREW	M6x1 L13.5mm	1	10-12
6	A2300000356	BOLT	M6x1 OD10mm L51.5mm	1	
7	A2035000014	LINK		1	
8	A2221000034	BEARING	6800V-2RS OD19mm ID10mm W5mm	2	
9	A2300000235	CREW	M10x1 L15mm	2	14-16
10	A2294000093	WASHER	OD15mm ID10.1mm H3mm	2	
11	A2221000035	BEARING	6801V-2RS OD21mm ID12mm W5mm	2	
12	A2300000266	SCREW	M8x0.75 L16mm	1	12-14
13	A2300000265	BOLT	M8x0.75 OD12mm L68mm	1	
14	A2294000023	WASHER	OD15mm ID12mm H3mm	2	
15	A2294000099	WASHER	OD17.5mm ID12.1mm H2mm	4	
16	A2221000039	BEARING	12214V-2RS OD21mm ID12mm W4mm	8	
17	A2300000433	BOLT	M8x0.75 OD12mm	4	
18	A2300000434	SCREW	M8x0.75 L14mm	4	12-14
19	A2300000536	SCREW	M4x0.7 L8mm	1	2-4
20	A2311000067	RD-HANGER	DH-057	1	
21	A2300000185	SCREW	M3x0.5 L20.5mm	2	2-4

S H O C K I N T E R F A C E

SHOCK	
LENGTHxSTROKE (MM)	205x65
REAR TRIANGLE EYELET	
PIN WIDTH (MM)	TRUNNION
FRONT TRIANGLE EYELET	
PIN WIDTH (MM)	40
PIN ID (MM)	10
COILSHOCK READY	
	--
RECOMMENDED SAG	
	30-35%



S M A L L P A R T S

No.	Item No.	Item	Detail information	Pieces	Torque Nm	No.	Item No.	Item	Detail information	Pieces	Torque Nm
1	A2029000024	BUMPER	for INTERNAL BLOCK	1		13	A2300000469	SCREW	M8x1.25 L23mm	3	11-12
2	A2029000051	BUMPER	for down tube; seat tube length 405mm	1		14	A2258000012	CABLE GUIDE	for M5 fixation	1	
2	A2029000023	BUMPER	for down tube; seat tube length 440/470/500mm	1		15	A2298000004	SCREW	M5x0.8 L15mm with washer	1	3-5
3	A2161000058	COVER MOUNT	for ENEGRY GUARD	1		16	A2258000164	CABLE PLUG	for speed sensor	1	
4	A2300000213	SCREW	M3x0.5 L13.5mm	2	2-4	17	A2258000137	CABLE PLUG	for right side	1	
5	A2143000107	BLIND PLUG		1		18	A2258000138	CABLE PLUG	for left side	1	
6	A2298000154	SCREW	M5x0.8 L12mm	4	3-5	19	A2191000139	HEAD SET	MERIDA/VP-8152 (MH-P16/ MH-P16)	1	
7	A2161000127	CABLE GUIDE		1		20	A2248000039	CLAMP	for INTERNAL BLOCK	1	
8	A2161000116	COVER	for 630Wh battery	1		21	A2111000008	CABLE GUIDE		2	
8	A2161000115	COVER	for 504Wh battery	1		22	A2143000115	BLIND PLUG		1	
9	A2300000500	COVER PIN		1	3-5	23	A2158000048	PROTECTOR	for chain stay	1	
10	A2258000055	CABLE PLUG	for RD	2		24	A2002000134	THRU AXLE	EXPERT TR; L=178mm M12x1.5 TL=14mm w. NUT	1	
11	A2258000099	CABLE PLUG	for rear brake and speed sensor	1		25	A2300000536	SCREW	M4x0.7 L8mm	1	2-4
12	A2300000468	SCREW	M8x1.25 L18.5mm	3	11-12						