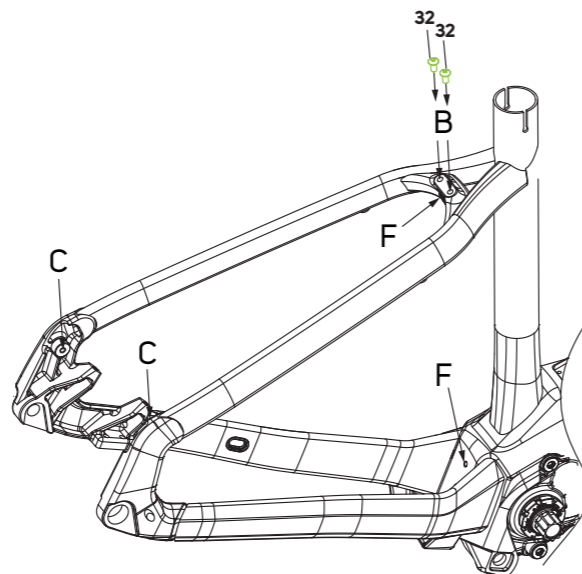
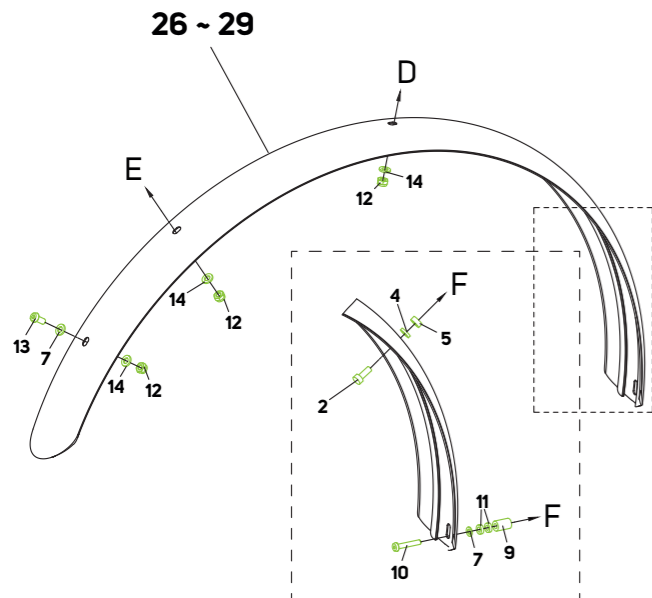
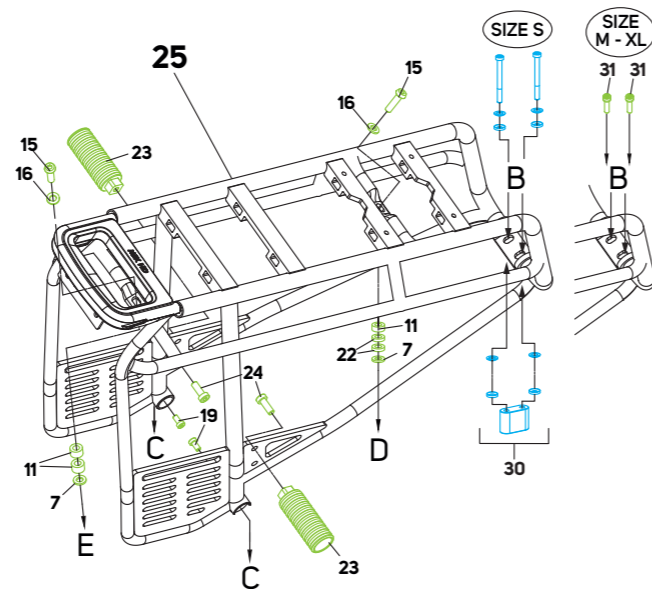
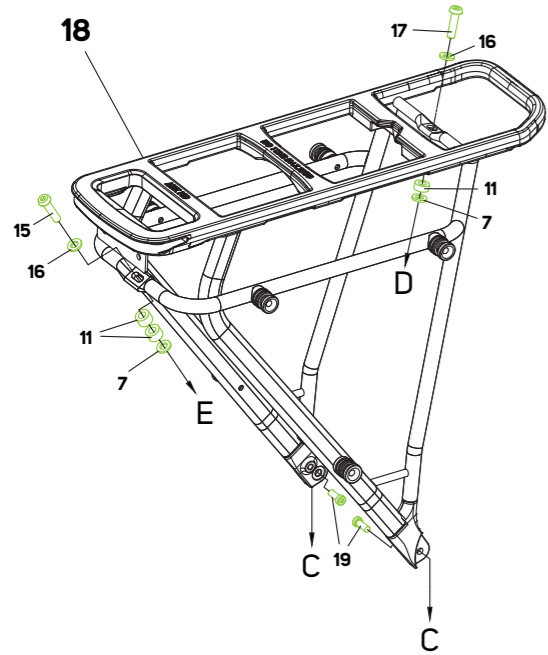
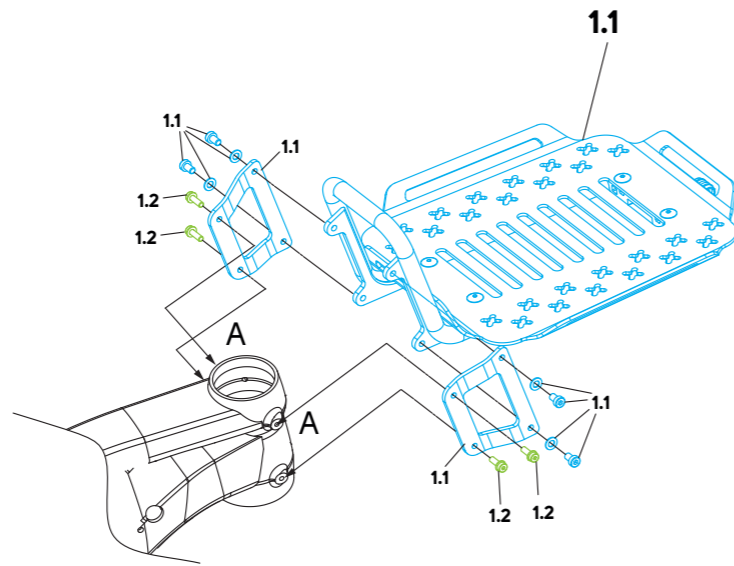


# eFLOAT CARRIERS (TK / HD / CC)

HIGH & LOW TOP TUBE



## MERIDA FRONT CARRIER MA-015

Item-No. A2095000015

NO.	ITEM NO.	ITEM	DETAIL INFORMATION	T (Nm)	PCS.
1.1	A2095000015	CARRIER	MERIDA FRONT CARRIER MA-015, set		1
1.2	A2298000117	SCREW	M5x0.8 L16mm	6-8	4

## MERIDA CARRIER MA-012

Item-No. A2298000424

NO.	ITEM NO.	ITEM	DETAIL INFORMATION	T (Nm)	PCS.
7	A2294000078	WASHER	OD9mm ID5.5mm H1mm		2
11	A2292000082	WASHER	OD11mm ID5.2mm H5mm		3
15	A2298000378	SCREW	M5x0.8 L38mm with 1mm washer	6-8	1
16	A2292000042	WASHER	OD13mm ID6.2mm H1mm		2
17	A2298000378	SCREW	M5x0.8 L38mm with 1mm washer	6-8	1
18	A2298000424	CARRIER	MERIDA Carrier MA-012		1
19	A2298000117	SCREW	M5x0.8 L16mm	6-8	2
32	A2298000282	SCREW	M6x1 L8mm, when using MERIDA MA-012 carrier / no carrier	10-12	2

## MERIDA CARRIER MA-016 HD

Item-No. A2098000058

Important! Only suitable for frame size M / L / XL (High Top Tube) & S / M (Low Top Tube)

NO.	ITEM NO.	ITEM	DETAIL INFORMATION	T (Nm)	PCS.
7	A2294000078	WASHER	OD9mm ID5.5mm H1mm		2
11	A2292000082	WASHER	OD11mm ID5.2mm H5mm		3
15	A2298000378	SCREW	M5x0.8 L38mm with 1mm washer	6-8	2
16	A2292000042	WASHER	OD13mm ID6.2mm H1mm		2
19	A2298000117	SCREW	M5x0.8 L16mm	6-8	2
22	A2292000080	WASHER	OD11mm ID5.2mm H2mm		2
23	A2063000002	CARRIER ACCESSOIRES	Child Footpegs Pair (only for MA-016 HD-carrier)		1
24	A2298000212	SCREW	M6x1 L15mm	10-12	2
25	A2098000058	CARRIER	MERIDA CARRIER MA-016 HD, only suitable for: frame size M / L / XL (High Top Tube) frame size S / M (Low Top Tube)		1
30	A2164000136	SCREW	when using MERIDA MA-016 HD-carrier at frame size S, set	10-12	1
31	A2298000317	SCREW	when using MERIDA MA-016 HD-carrier at frame size M / L / XL	10-12	2

## MERIDA FENDER

NO.	ITEM NO.	ITEM	DETAIL INFORMATION	T (Nm)	PCS.
2	A2298000521	SCREW	M6x1 L25mm	10-12	1
4	A2292000008	WASHER	OD10.1mm ID6.2mm H3mm		1
5	A2292000063	WASHER	OD10.1mm ID6.2mm H5mm		1
7	A2294000078	WASHER	OD9mm ID5.5mm H1mm		2
9	A2292000096	WASHER	OD11mm ID5.2mm H15mm		1
10	A2298000427	SCREW	M5x0.8 L38mm	6-8	1
12	A2302000027	NUT	M5		3
13	A2300000423	SCREW	M5x0.8 L9mm	6-8	1
14	A2292000049	WASHER	OD10mm ID5.5mm H1mm		3
26	A2116000285	FENDER	Rear: size S High / Low Top Tube		1
27	A2116000286	FENDER	Rear: size M/L/XL High Top Tube, size M Low Top Tube		1
28	A2116000287	FENDER	Rear: size L Low Top Tube		1
29	A2116000288	FENDER	Rear: size XL Low Top Tube		1