



Installation and operating instructions

Saddle/Seatpost

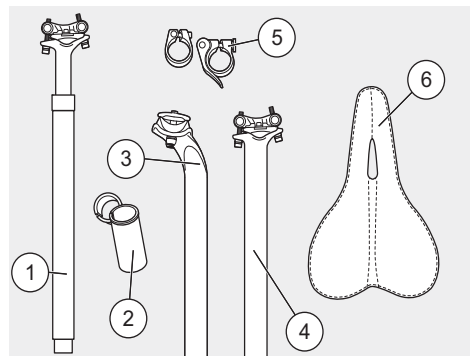
Thank you for purchasing a MERIDA component.

About these instructions

Carefully read and follow these installation and operating instructions before use. Keep these instructions for future reference.

	Danger Indicates essential safety instructions.
--	---

These instructions are valid for the following MERIDA components:



1. Suspension seatpost
2. Reducing sleeves
3. Classic seatpost
4. MERIDA EXPERT CC seatpost
5. Quick release
6. Saddle

Special features

The material is very durable and has a low weight. Have your bicycle inspected by your dealer following accidents or other incidents.

1. Intended use

The majority of MERIDA components are designed for use on racing, trekking, and mountain bikes, and their typical use.

	Danger Replace the component following a heavy impact.
	Danger If the component shows external signs of damage, you should no longer ride using this component.
	Danger Each of the following instructions must be strictly observed. Non-observance of these instructions may lead to the failure of the components.

Before your first ride

	Note The seatpost must glide smoothly into the frame. However, it must not be able to tilt back and forth.
--	--

Never modify MERIDA components. Do not file or drill and holes in components as this damages their structure and voids the warranty.

Only use MERIDA parts with each other to achieve optimum function and component durability.

Carbon

After being overstressed, a previously damaged carbon component may fail without warning.

If your MERIDA carbon component has been exposed to such high stress, take your bicycle to your MERIDA dealer. For safety reasons, carbon components can never be repaired and must always be replaced immediately.

Carbon components must never be exposed to high temperatures. Therefore, never have them painted. Avoid storage near to heat sources. Carbon components have a limited life cycle. Therefore, replace them at regular intervals, as a precaution.

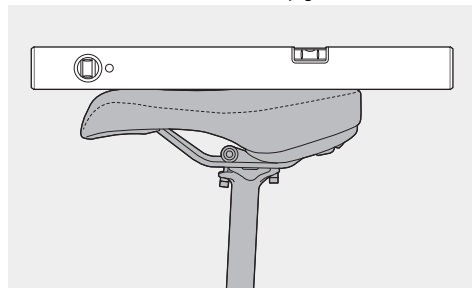
Ensure that clamp areas of carbon parts are completely free of grease and lubricant.

	Danger Never mount pannier racks or trailer coupling on carbon posts.
--	---

2. MERIDA Saddles

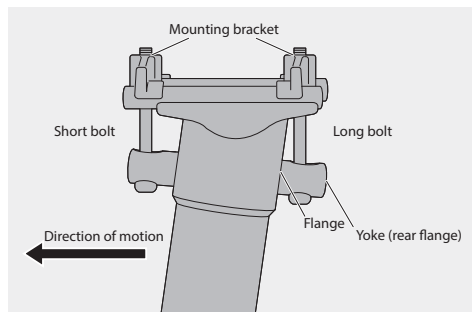
Assembly

To mount the saddle, loosen the fixing bolts of the saddle clamp just a few turns. If the saddle rails are too far apart, do not force the rails into the clamp grooves.



Position the surface of the saddle parallel to the ground. Gently tighten the bolts of the saddle clamp. You will find the next steps in "SETTING THE CORRECT SEAT POSITION".

MERIDA EXPERT CC seatpost special features

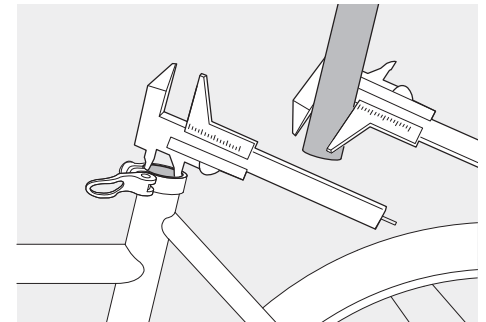


With this model, the individual components must be mounted in the correct combination and orientation. See also "SETTING THE FORE-AFT POSITION AND TILT OF SADDLE."

3. MERIDA seatposts

MERIDA seatposts differ mainly in terms of the clamping mechanism. The diameter of the post and its length are important – see also "SETTING THE CORRECT SEAT POSITION" in this regard.

Assembly



The difference between the (greater) internal diameter of the seat tube and the (smaller) external diameter of the seatpost should be between 0.05 mm and 0.1 mm.

	Note The seatpost must glide smoothly into the frame. However, it must not be able to tilt back and forth.
--	--

If necessary, deburr the seat tube.

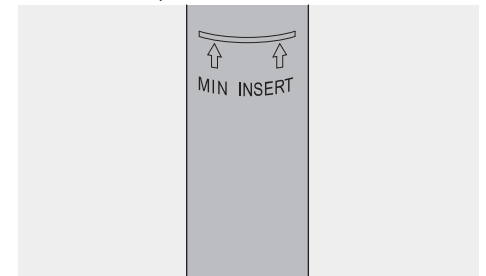
If a MERIDA aluminum seatpost is mounted in a frame made of aluminum, titanium, or steel, the inside of the seat tube must be greased.

With carbon components, the inside of the seat tube and the post itself must be completely free of lubricants. Use a special carbon assembly paste for the assembly.

	Note The seatpost must glide smoothly into the frame. However, it must not be able to tilt back and forth.
--	--

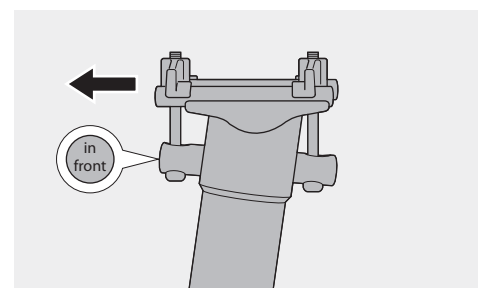
Now slowly slide the post into the seat tube, no farther than is necessary.

Do not rotate the post in the frame.





Slide the seatpost at least so far that the marking for the minimum insertion depth (min. insertion, stop, etc.) is inside the seat tube. For frames with seat tubes that extend upward, the seatpost may need to be lowered farther. Refer to the bicycle/frame manufacturer's instructions.


Special features of MERIDA EXPERT CC seatposts



During assembly, make sure that the label "in front" is pointing in the direction of motion.

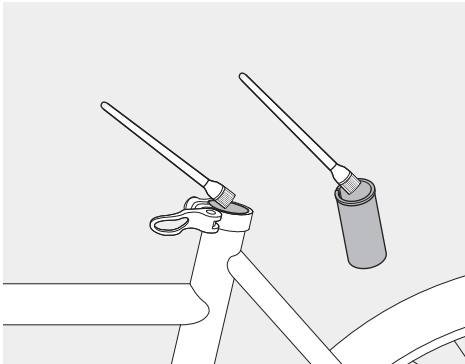
	Danger If a clamping surface is made of carbon, neither the frame nor the post may come into contact with lubricants! Use a special carbon assembly paste for the assembly.
--	---

	<p>Note Read "HANDLING QUICK RELEASES". Only tighten the bolt in the clamp so far/close the quick release so that the post does not slip when you are mounting the saddle. After mounting the saddle, proceed as described in the chapter "SETTING THE CORRECT SEAT POSITION".</p>
	<p>Note Before mounting a suspension seatpost, follow the setting instructions in the chapter "ADJUSTING MERIDA SUSPENSION SEATPOSTS".</p>

	<p>Danger Seat tube and seatpost diameters that do not match exactly can cause the seatpost or frame to break.</p>
--	---

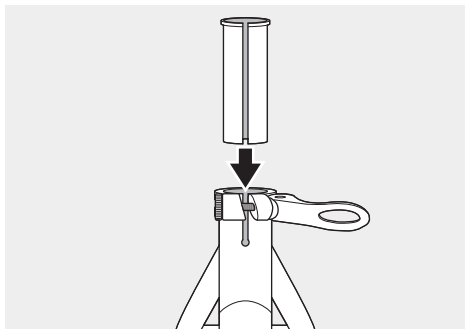
4. MERIDA reducing sleeves for seatposts

Reducing sleeves for seatposts compensate for differences in diameter between the seatpost and seat tube in the frame.



If using a metallic frame and seatpost, lubricate the inside of the frame and the inside of the reducing sleeve before mounting the seatpost.


If carbon components are involved in clamping, no grease may be applied there. Use special carbon assembly paste when clamping carbon components!




Slide the reducing sleeve into the frame so that the slot is congruent with that of the frame. Then see "MERIDA SEATPOSTS/ASSEMBLY".

5. Adjusting MERIDA suspension seatposts

The suspension seatpost is prepared for a weight of approx. 75–85 kg. To adjust the suspension, it must be removed from the frame.

	<p>Note Mark the position of the seatpost in the frame.</p>
---	--

Carefully read the bicycle manufacturer's user manual, and follow the instructions in the chapter "MERIDA seatposts/assembly".

	<p>Danger Only unscrew the adjusting bolt enough so that it sits flush with the post.</p>
--	--

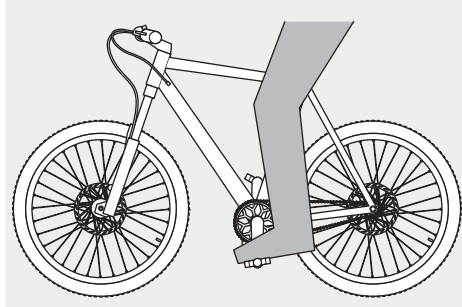
If the post is too soft, screw in the bolt in a clockwise direction. The suspension will get harder.

If the post is too hard, screw the bolt counter-clockwise. The suspension will get softer.

After mounting, check that the post compresses approx. 10 mm when you are sitting in your riding position.


6. Setting the correct seat position

Setting the saddle height



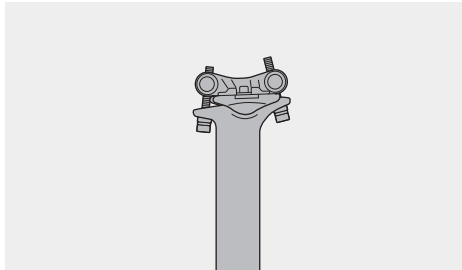
Pedaling determines the required saddle height. The balls of the big toes should be above the center of the pedal axle. The leg must not extend fully at the lowest point of the pedal stroke.

Check the saddle height by sitting on the saddle and placing your heel on the pedal in the lowest position. In this position, the leg should be fully stretched. The hips must remain straight. To adjust the saddle height, you have to loosen the saddle clamping bolts or the quick release.

	<p>Danger Never ride a bike where the maximum seatpost length marking is visible.</p>
---	--

Use a suitable tool to loosen the seatpost clamping bolt, turning it 2–3 times counter-clockwise. Now slide the seatpost to the desired position. Obtain a longer seatpost if necessary. Align the saddle so that it is point straight ahead again. Tighten the seat tube clamp in half-turns, and check that the post is held securely by trying to rotate the saddle. Sufficiently tightening the clamping bolt or quick release should not require much force.

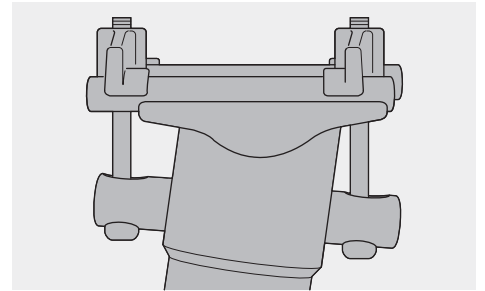
Setting the fore-aft position and tilt of saddle



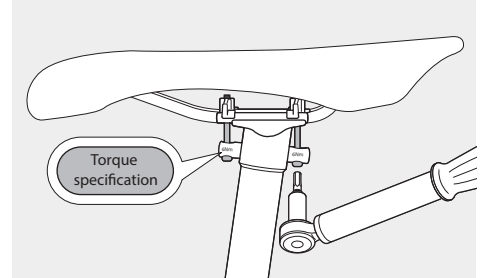
For seatposts with 2-bolt yoke clamps, loosen both fixing bolts and move the saddle forward and backward to the desired longitudinal position. Then tighten the bolts until both clamps touch the saddle rails. The brackets should not clamp, otherwise there is a risk of breakage.

Tightening the front bolt lowers the saddle point, while tightening the rear one lifts it. If the adjustment range is not sufficient, loosening the front bolt at the same time as tightening the rear one will also elevate it. Loosening the rear bolt and tightening the front one lowers the saddle point. Retighten the bolts evenly and alternately with a torque wrench, paying attention to the torque specified on the component.

MERIDA EXPERT CC seatpost

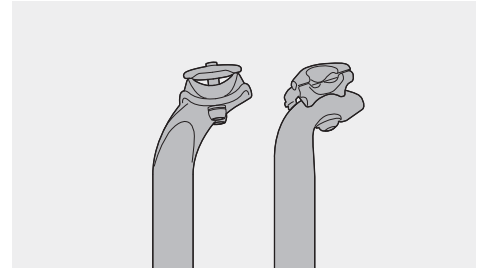


This MERIDA EXPERT CC seatpost has a weight-optimized clamp, so the individual components must be mounted in the correct combination and orientation.



Tighten the bolts of the seatpost.

For seatposts with 1 or 2-bolt patented clamps, loosen the clamping bolts and move the saddle forward or backward, or the saddle point up or down.



The clamps may be within the marks on the saddle rails. The brackets must not clamp on the bends. There is a danger of breakage.

Now tighten the bolts until both clamps touch the saddle rails. Increase the torque using a torque wrench until the maximum torque specified on the component is reached.

7. Handling quick releases

The hand lever transforms the closing motion into clamping force via an eccentric cam.


The binder nut sets the tension on a threaded rod.

Open the quick release and the text "Open" can be seen.

Move the lever back to the clamping position and the text "Close" appears. The lever should move easily at first. During the second half of the movement, the leverage should increase considerably. Finally, the lever should be very difficult to move.

In its final position, the lever must be parallel to the bicycle, resting close to the frame.

Check that it is sitting correctly by pressing on the end of the closed lever and trying to rotate it.

	<p>Danger Insufficiently tightened quick releases can cause components to come loose.</p>
---	--

If the clamping lever moves, the component is not securely held in place. You will need to open it again and increase the pretension. To do this, screw the binder nut on the other side a half-turn clockwise. Repeat the closing process and check the grip again.

Finally, take hold of the front and back of the saddle, and try to rotate it.

8. Care and maintenance



Note

When cleaning, pay attention to any damage to the materials.

Clean the components regularly with water and a soft cloth. For stubborn stains, you can add some readily available dish soap to warm water. Do not use any harsh cleaning agents.

Rub the metallic surfaces and carbon with commercially available hard wax at least two times per year. Polish the post once the wax has dried.

After cleaning, the plastic saddle cover can be maintained with a colorless plastic care product (e.g. cockpit spray).

Mount the component once per year. Grease the parts again, with the exception of carbon parts.

Maintain the interior of the suspension post every 60–100 hours of operation/yearly. Replace the grease, and check seals, guides, and spring elements.

Check the torque values of all bolts after the first 100–300 km (60–180 miles), and then again every 2,000 km (1,200 miles).

9. Warranty and guarantee

Statutory warranty rights apply within the first two years. This regulation only applies in states that have ratified the EU bill.

The components are subject to natural wear, depending on use and external conditions.

We also grant a manufacturer's guarantee on all MERIDA components (from the date of purchase, to the first purchaser) of 5 years on material and workmanship.

In case of defects, please contact your MERIDA dealer.

In a guarantee case where the respective higher-quality model is unavailable, MERIDA INDUSTRY CO., LTD. reserves the right to deliver the respective current successor model in the available color.

Assembly and/or conversion costs and any accessories (due to altered dimensions) will not be refunded in a guarantee case.

The manufacturer guarantee is only valid for the first purchaser upon presentation of proof of purchase showing the purchase date, dealer address, and model name.

The intended use is a prerequisite for the guarantee. The guarantee does not cover labor and transportation costs, or any follow-up costs caused by defects. Competition use in the context of road races, triathlon, or the MTB sections of cross-country races are covered by the guarantee. Other visible fall damage resulting from jumps or other types of overstress is likewise not covered by the guarantee. The guarantee does not cover damage caused by wear, neglect, crashes, oversteering caused by overloading, improper installation and care, or the modification of components.

In the interest of a long life and durability of the components, the manufacturer's installation instructions and the prescribed maintenance intervals must be adhered to exactly. Failure to comply with the installation instructions and inspection intervals will void the guarantee.

The upper material of the saddle becomes rough when exposed to sunlight, and wears out during use due to mechanical stress. Regular cleaning and care have a positive impact on wear.

10. Technical specifications



Note

If there is any doubt, always adhere to the values specified on the component.

Saddles

Diameter of wires or tubes of the saddle rails: 7 mm

Reducing sleeves for seatposts

Your dealer will inform you about the diameters available in the current MERIDA catalog.

Seat posts

Available diameters – depending on the model: 27.2–34.9 mm

Minimum insertion depth:

The minimum insertion depth is marked on every post. The marking must always be lowered into the frame.

For the maximum torque of the seat tube clamp, see the frame manufacturer's instructions.

If you have any questions, please contact:

MERIDA INDUSTRY CO., LTD.

P.O. Box 56

Yuanlin Taiwan R.O.C.

Phone: +886-4-8526171

Fax: +886-4-8527881

www.merida-bikes.com

5th Edition, February 2017

© No part of this document may be reprinted, translated, reproduced, or otherwise used, e.g. on electronic media without prior written consent.

Graphics, text, and design

2W Technische Informations GmbH & Co.KG

www.2wgmbh.de